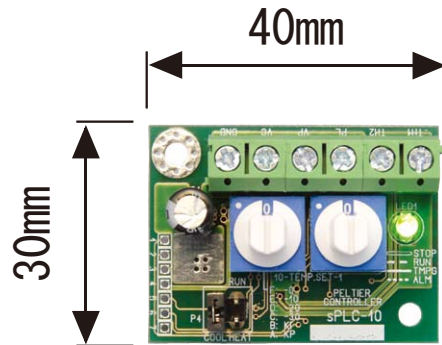


TEC[Peltier] Controller sPLC-10

Small fits all!



This is actual size!

Feature

✓ **Small**

- * Ultra-small TEC Controller 40mm(W)x30mm(D)x18.5mm(H)
- * High power (24V/8A) output and low power consumption

✓ **Simple**

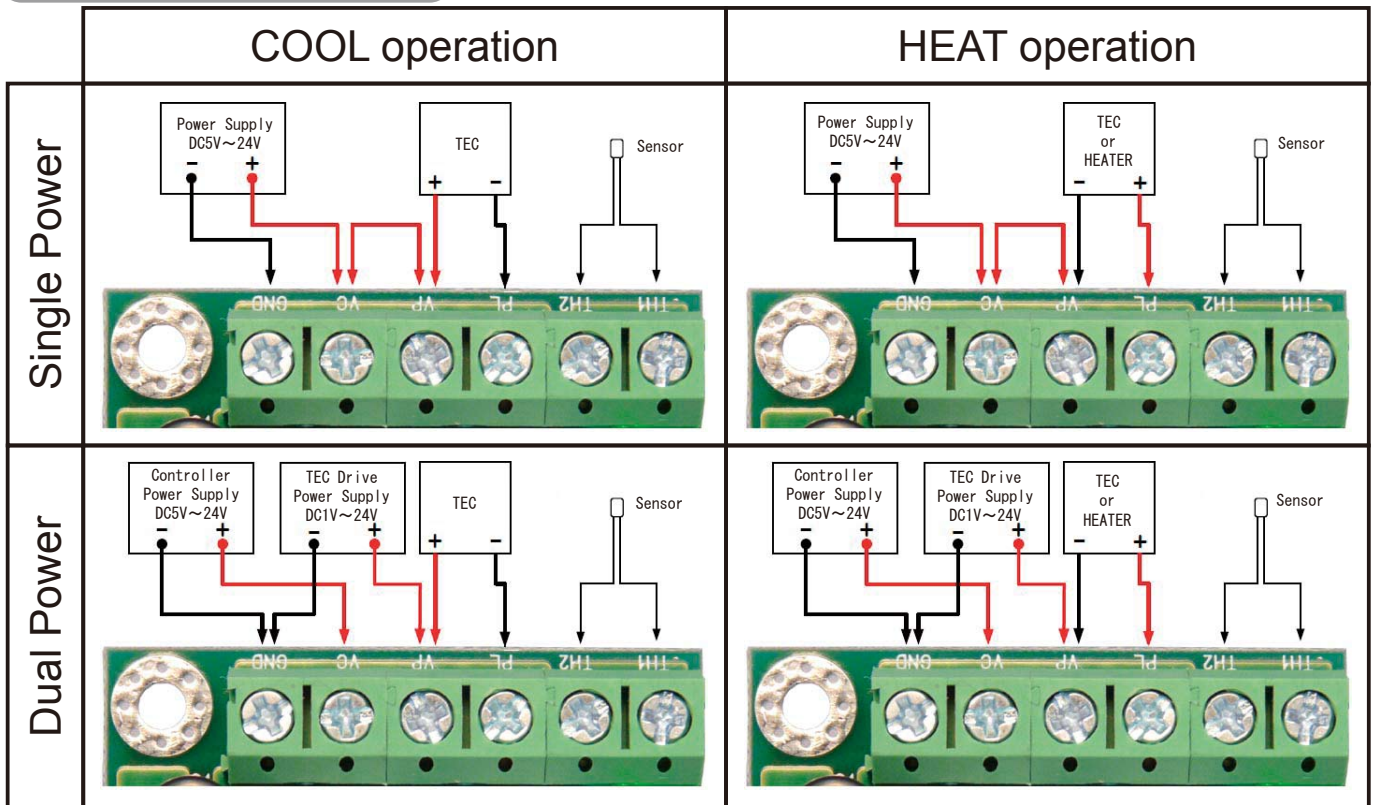
- * Monopolar drive (Cool/Heat selectable)
- * Easy 2-steps operation (Set temperature and Run!)
- * Simple one LED status indicator

✓ **Stable**

- * Digital PI (Proportional-Integral) control system



**KURAG
ELECTRONICS**

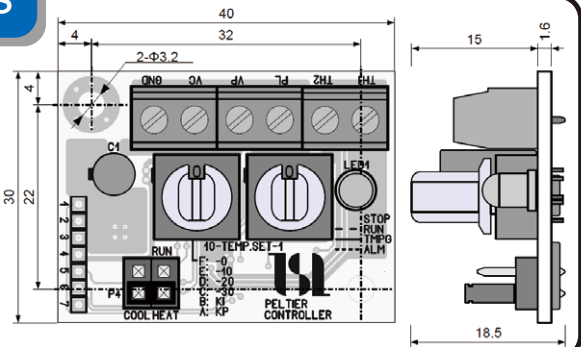


Applications

- * Industrial
- * Laboratory
- * Breeding (Fish, Bird, Plant...)
- * Medical
- * Hobby
- * Education
- * Any other thermal control

Dimensions

- * Width : 40mm
- * Depth : 30mm
- * Height : 18.5mm
- * Weight : 15g



Specifications

- * Power supply: DC5V-24V, DC1V-24V(dual power supply for TEC drive)
- * Power consumption: Less than 100mA (exclude TEC drive output)
- * TEC drive voltage: 5V-24V(single power supply), 1V-24V(dual power supply)
- * TEC drive current: 8A Max
- * TEC drive system: Monopolar PWM drive (Cool/Heat selectable)
- * TEC control system: Digital PI control
- * Temperature sensor: NTC Thermistor (R25=10kohm, B=3435)
- * Temperature settings: Rotary DIP switches
- * Temperature setting range: -39degC ~ +99degC
- * Temperature setting resolution: 1degC
- * Indicator: LED
- * Operation temperature / humidity: 10degC~ 40degC / 5%RH~85%RH

* Product specifications or Board layout may change for improvement

Manufacturer:
 KURAG ELECTRONICS LLC
 Tokyo, Japan
 TEL : +81-42-843-2712
 URL : <http://kurag.o.oo7.jp/kurag-el/>

Contact Us---